

## МОДЕЛЬНЫЙ РЯД



RO EC с назад загнутыми лопатками и EC-двигателем для прямоугольных и крышных вентиляторов

### RO400B-8D-EC0S

#### ТЕХНИЧЕСКИЕ ДАННЫЕ

Supply	3P,380~480V	Rated current	3.3 A
Frequency	50/60 Hz	Rated speed	2270 r/min
Motor poles	8	Max airflow	8180 m <sup>3</sup> /h (Static pressure=0Pa)
Rated voltage	400 VAC	Acoustic	81 dB(A) measured at 1.0m from inlet side
Power input	2130 W	ErP level	2015

- Operating ambient temperature range: -25°C ~ +50°C
- Working environment humidity range: <90%
- Transportation and storage temperature range: -40°C ~ +80°C
- Transportation and storage environment humidity range: <80%
- The storage place is well ventilated, corrosive gases not contained.

Mass	22 kg
Size	φ400 mm
Impeller material	Sheet aluminium
Rotation	Counter-clockwise(Seen from cable exit)
Protection class	IP54
Insulation class	F
Mounting	Shaft horizontal or rotor on bottom; rotor on top on request
Mode of operation	S1(Continuous operation)
Bearings	Maintenance-free ball bearings
Controller	Controller integrated with motor, 0~10V or PWM control

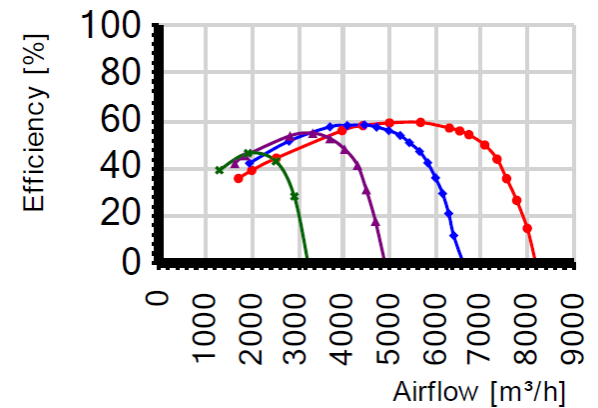
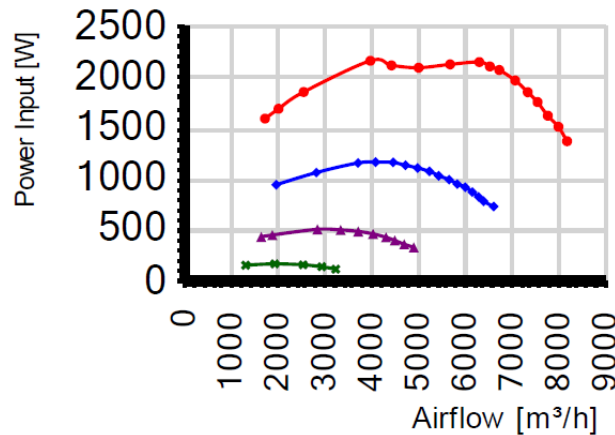
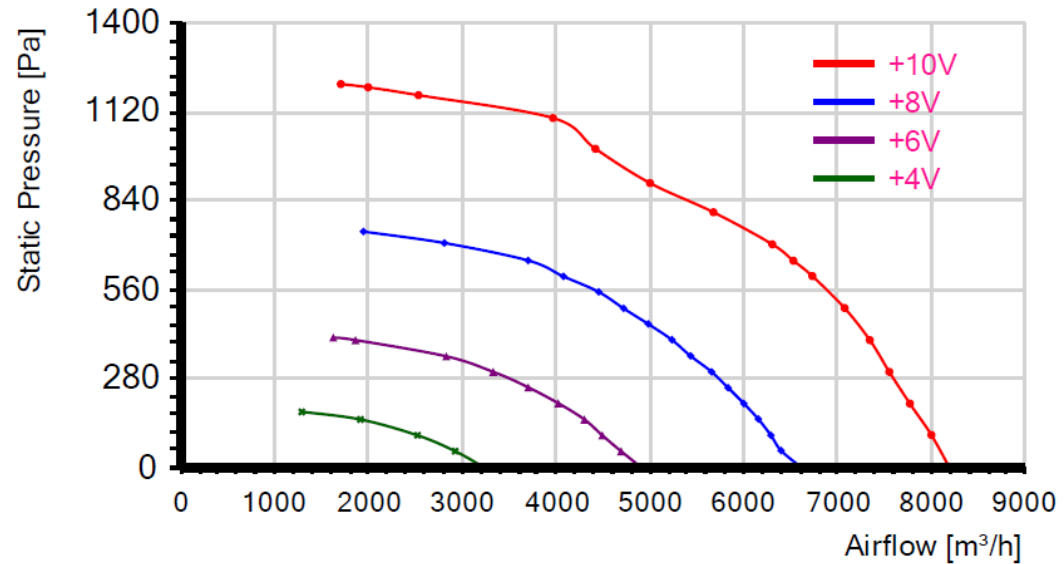
## МОДЕЛЬНЫЙ РЯД



RO EC с назад загнутыми лопатками и EC-двигателем для прямоугольных и крышных вентиляторов

### RO400B-8D-EC05

ГРАФИКИ



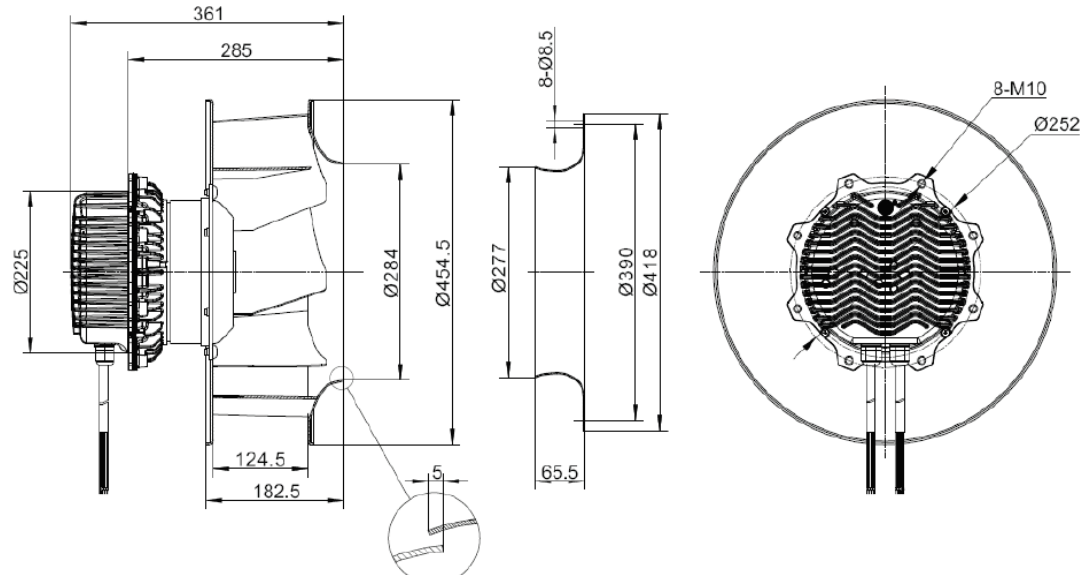
## МОДЕЛЬНЫЙ РЯД



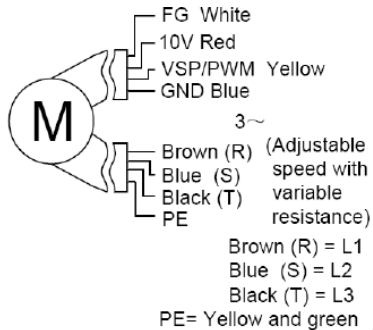
RO EC с назад загнутыми лопатками и ЕС-двигателем для прямоугольных и крышных вентиляторов

## RO400B-8D-ECOS

### ЧЕРТЁЖ



### СХЕМА



Connection	Assignment/function
L1, L2, L3	Three-phase supply connection, voltage range 380-480VAC, frequency 50/60Hz
PE	Protective earth
FG	Speed feedback output, 2 pulses per revolution, can be customized
+10V	10VDC output, maximum output current 10mA
VSP/PWM	Speed control signal input connection, 0-10V voltage or PWM signal (amplitude 10-12V, frequency 1-10kHz)
GND	Signal ground for control interface